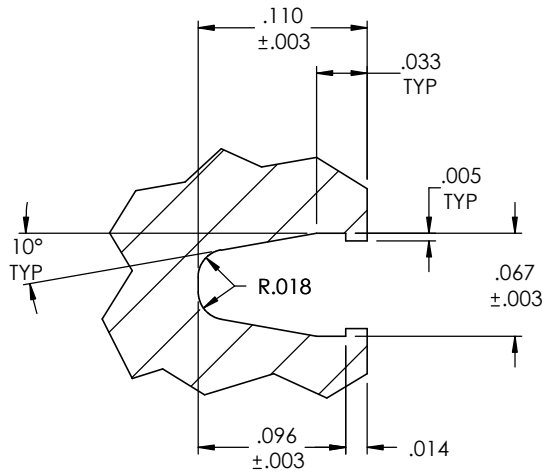


APPLICATION CONDITIONS	MIN.	NOM.	MAX.
TEMPERATURE (°F)			
PRESSURE (PSI)			
SPEED (SFPS)			
STROKE LENGTH (IN)			
CYCLE RATE (CYL/SEC)			
MEDIA			

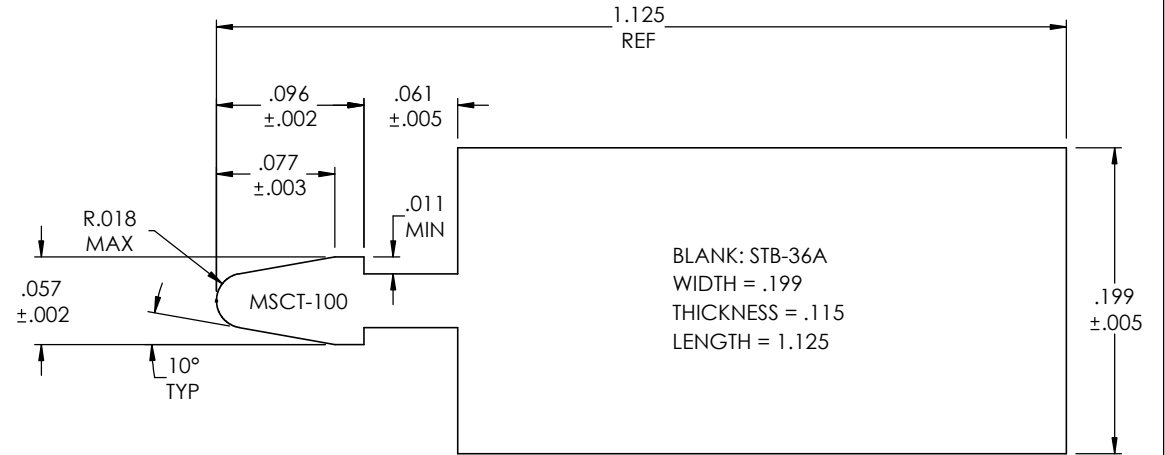
BILL OF MATERIALS				
ITEM	QTY	PART#	MATERIAL	DESCRIPTION

REVISIONS				
ZONE	REV.	DESCRIPTION	DATE	ECN #
2	A	ADDED BLANK NUMBER AND DIMENSIONS	5/17/2018	8517




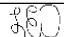
100V GROOVE

----- Q



BLANK: STB-36A
WIDTH = .199
THICKNESS = .115
LENGTH = 1.125

PROPRIETARY AND CONFIDENTIAL
THE INFORMATION CONTAINED IN THIS DRAWING IS THE SOLE PROPERTY OF MW INDUSTRIES, INC. ANY REPRODUCTION IN PART OR AS A WHOLE WITHOUT THE WRITTEN PERMISSION OF MW INDUSTRIES, INC IS PROHIBITED.

UNLESS OTHERWISE SPECIFIED:		NAME	DATE	 MAUDLIN PRODUCTS. MW Industries, Inc.	
DIMENSIONS ARE IN INCHES		DRAWN	L. DOUGLAS		2/8/18
TOLERANCES: FRACTIONAL ± 1/16" ANGULAR: ± .5° TWO PLACE DECIMAL ±.01 THREE PLACE DECIMAL ±.005		MFG REVIEW			
JACKET MATERIAL:		ENG APPR.		2/8/18	
SPRING TYPE: 100 V-SPRING		COMMENTS:		TITLE: GENERAL ARRANGEMENT 100 V-SPRING GROOVE AND TOOL	
O-RING:					
DO NOT SCALE DRAWING		SIZE	DWG. NO.	REV	
		A	MSCT-100	A	
		SCALE: NTS		SHEET 1 OF 1	